

Installation Instructions

3006587 Spreader Speed Controller

for TGS01, TGS01A, TGS01B, TGS05,
 TGS05A, TGSUVPRO, TGSUVPROA
 Tailgate Spreaders

Hard Start Feature

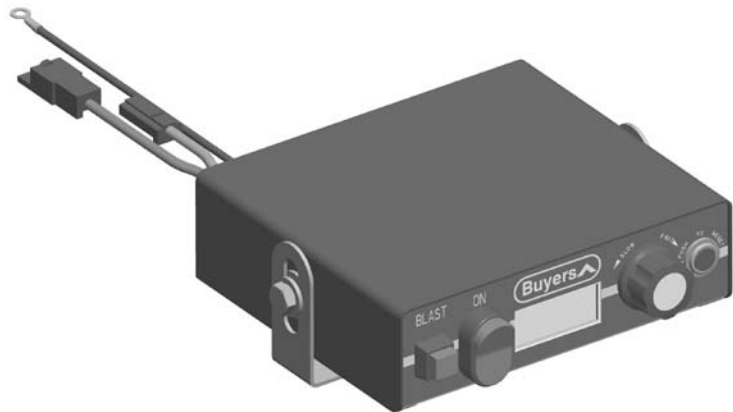
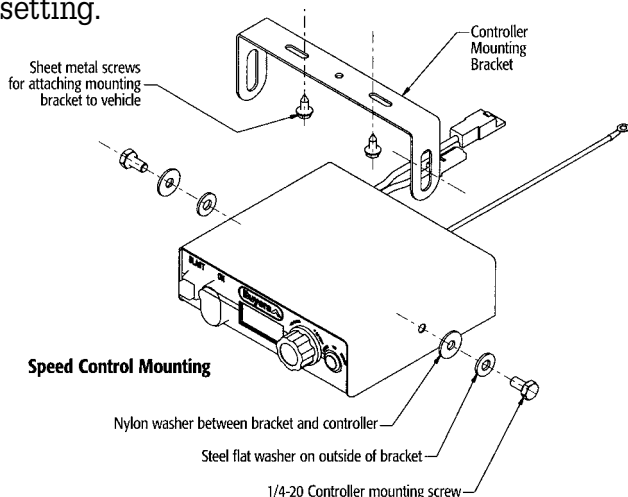
When the user first starts the unit, the controller automatically programs the spreader motor for a one-second burst at full power, then returns to the preset speed. This makes starts easier and more reliable. The selected speed will be indicated on the LCD panel as 1–9.

Blast Function

When the spreader is being operated at less than full power, the user can deliver a short blast of additional salt by depressing the front-mounted blast button. Ideal for laying more salt on those “trouble spots.” Remove the pressure from the switch, the motor returns to its preset speed. The LCD panel will indicate “Blast!” during this function.

Front-Mounted Circuit Breaker

If the spreader motor or wiring harness become damaged and shorted out, then the circuit breaker will pop out. The cause must be repaired before resetting.



WARNING

To prevent serious injury, always turn speed controller off and disconnect spreader from rear plug while servicing or clearing jammed spreader.

Stall Function

When the spreader becomes overloaded or jammed, the controller will indicate “motor stalled” and stop the motor until the jam can be cleared. The spreader can be restarted by turning the controller “off” then “on” again.

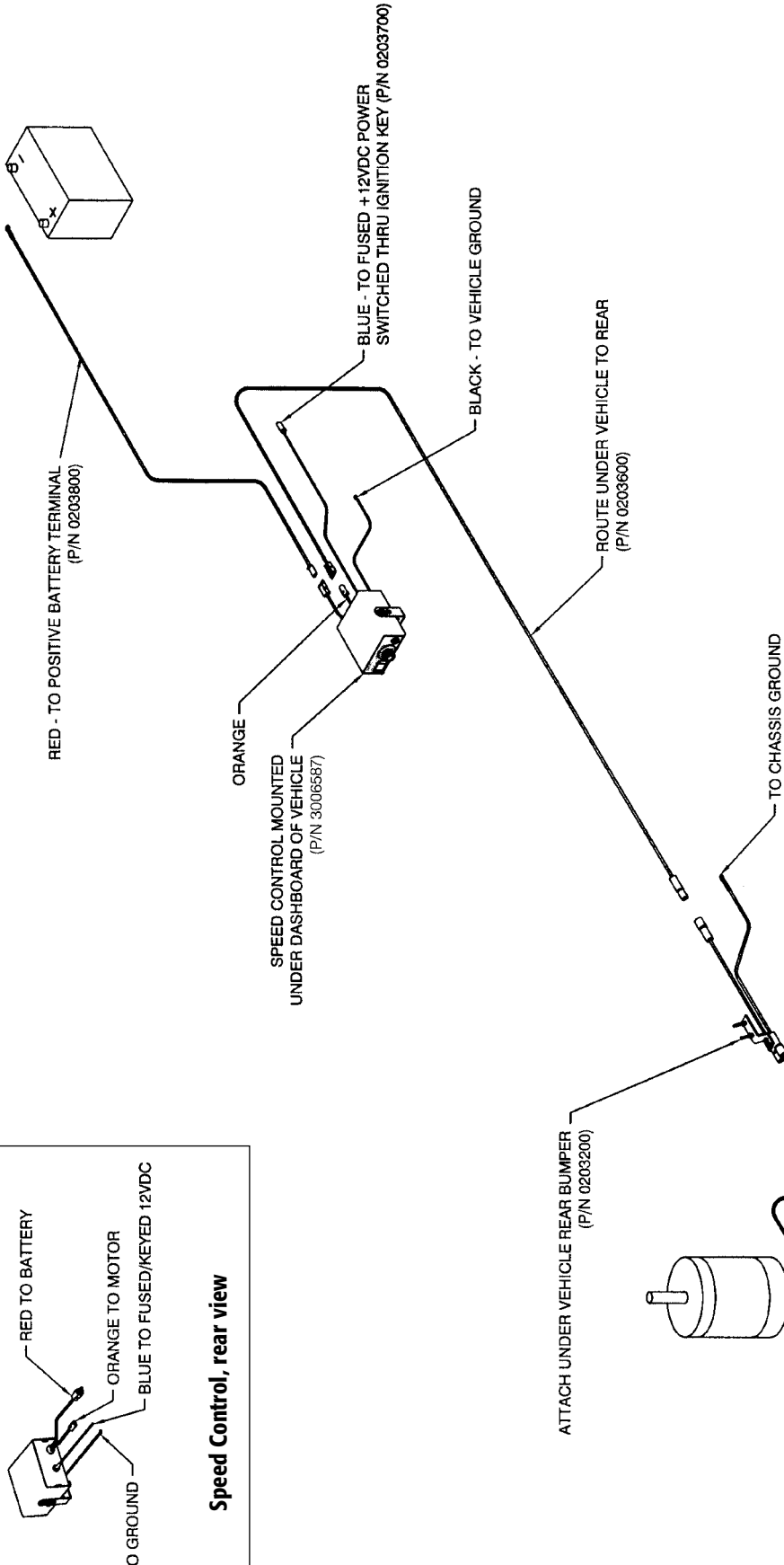
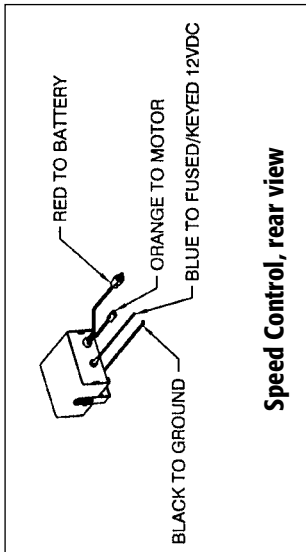
Retrofit

The new speed controller can be used with all Buyers’ Tailgate Spreaders. It’s easy to upgrade or replace previous models.

—see back

Warranty

Buyers Products Co. warrants all truck/trailer hardware manufactured or distributed by it, to be free from defects in material and workmanship for a period of one year from date of shipment. Parts must be properly installed and used under normal conditions. Any product which has been altered, including modification, misuse, accident or lack of maintenance will not be considered under warranty. Normal wear is excluded. The sole responsibility of Buyers Products Co. under this warranty is limited to repairing or replacing any part or parts which are returned, prepaid, and are found to be defective by Buyers Products Co. Authorization from Buyers Products Co. must be obtained before returning any part. No charges for transportation or labor performed on Buyers’ products will be allowed under this warranty.



TROUBLE-SHOOTING GUIDE FOR THE 3006587 SPEED CONTROL

- Symptom:** Motor is not running, LCD display is blank.
Cause: 1. Ground wire (black) is not connected to controller.
2. Ignition wire does not have power.
- Symptom:** Motor is not running, LCD displays "Check Motor".
Cause: 1. Ground wire is not connected to motor.
2. Positive wire is not connected to motor.
- Symptom:** Motor is not running, LCD displays "Check Power".
Cause: Positive wire (red) is not connected to controller.

All 4 wires must be connected (including the black ground wire) in order for the controller to work properly.